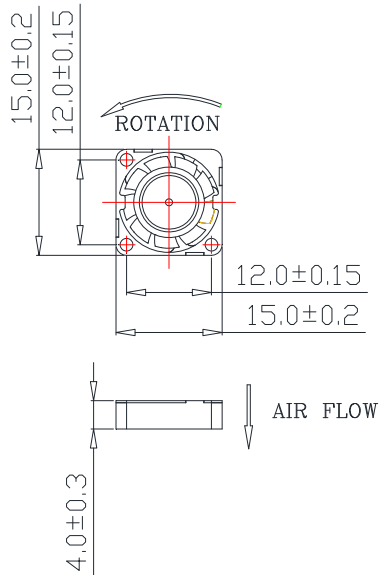


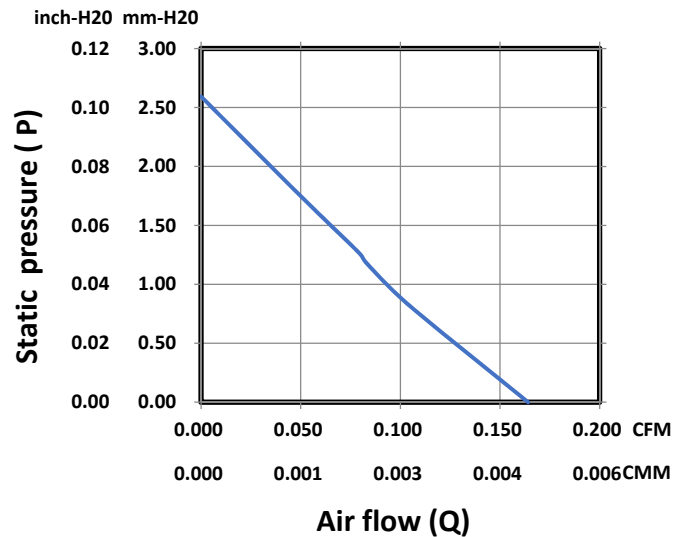
15 x 15 x 4 mm Series

Rev. I

## Dimensions



## Performance Curve



General Specification		Bearing Type	Function Options
Frame	PBT 94V-0	<input type="radio"/> CeraDyna A	<input checked="" type="radio"/> Auto Restart
Impeller	PPS 94V-0	<input type="radio"/> CeraDyna C	<input checked="" type="radio"/> Frequency Generator
Lead Wire	UL10064 32AWG	<input type="radio"/> Ball Bearing	<input checked="" type="radio"/> Rotation Detect
Storage Temperature	-20°C ~ 80°C	<input checked="" type="radio"/> Sleeve Bearing	<input checked="" type="radio"/> Temperature Control
Operating Temperature	-10°C ~ 75°C	<input type="radio"/> Fluid Dynamic Bearing	<input checked="" type="radio"/> PWM Control
Mass	1.9 gram		

\*Air exhaust over struts. Rotational direction CCW looking at rotor

\*The motor is with electronic protection against reverse polarity. The motor only operates when the polarity is correct.

## Specifications

Model No.	Rated Voltage (V)	Rated Current (A)	Input Power (W)	Nominal Speed (RPM)	Airflow (CFM)	Static Pressure (Inch-H2O)	SPL (dB A)
FD0518-S00XXR	5	0.07	0.35	16000	0.16	0.1	25.6

\*All readings are typical value at rated voltage.

\*Please refer to **PART NUMBER SYSTEM** for bearing type and part number "XX" designation.

\*Please specify revision number when ordering.