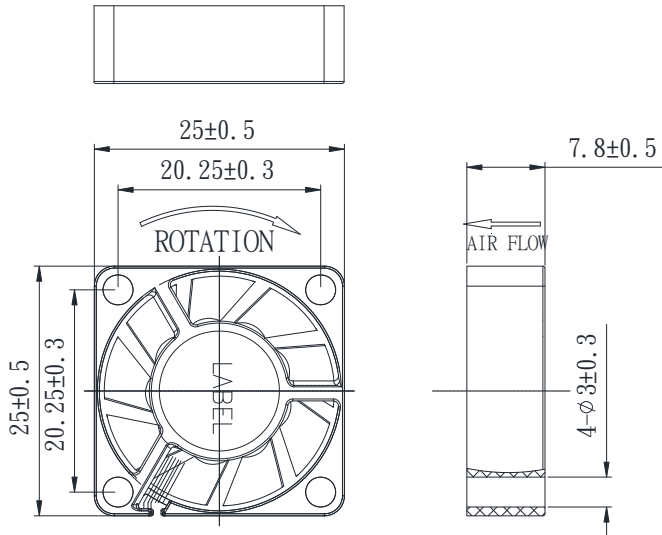


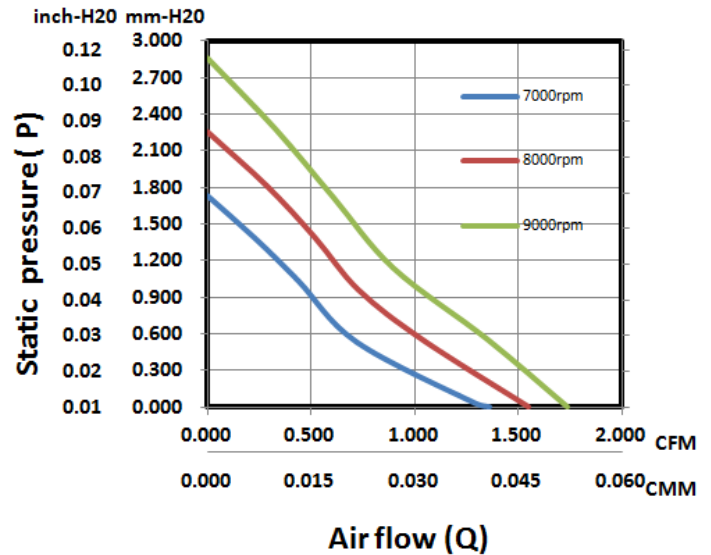
## 25 x 25 x 07 mm Series

Rev I

## Dimensions



## Performance Curve



General Specification		Bearing Type	Function Options
Frame	PBT 94V-0	<input type="radio"/> CeraDyna A	<input checked="" type="radio"/> Auto Restart
Impeller	PBT 94V-0	<input type="radio"/> CeraDyna C	<input checked="" type="radio"/> Frequency Generator
Lead Wire	UL1571 AWG 30	<input type="radio"/> Ball Bearing	<input type="radio"/> Rotation Detect
Storage Temperature	-20°C ~ 80°C	<input checked="" type="radio"/> Sleeve Bearing	<input type="radio"/> Temperature Control
Operating Temperature	-10°C ~ 75°C	<input type="radio"/> Fluid Dynamic Bearing	<input checked="" type="radio"/> PWM Control
Mass	4.45 gram		

\*Air exhaust over struts. Rotational direction CCW looking at rotor

\*The motor is with electronic protection against reverse polarity. The motor only operates when the polarity is correct.

## Specifications

Model No.	Rated Voltage (V)	Rated Current (A)	Input Power (W)	Nominal Speed (RPM)	Airflow (CFM)	Static Pressure (Inch-H2O)	SPL* (dB A)
FD0525-S10XXI	5	0.20	1.0	9000	1.74	0.11	27.60
FD0525-S20XXI	5	0.18	0.4	8000	1.55	0.09	25.05
FD0525-S30XXI	5	0.16	0.8	7000	1.36	0.07	22.15

\*SPL is measured at 6.25CM

\*All readings are typical value at rated voltage.

\*Please refer to **PART NUMBER SYSTEM** for bearing type and part number "XX" designation.

\*Please specify revision number when ordering.