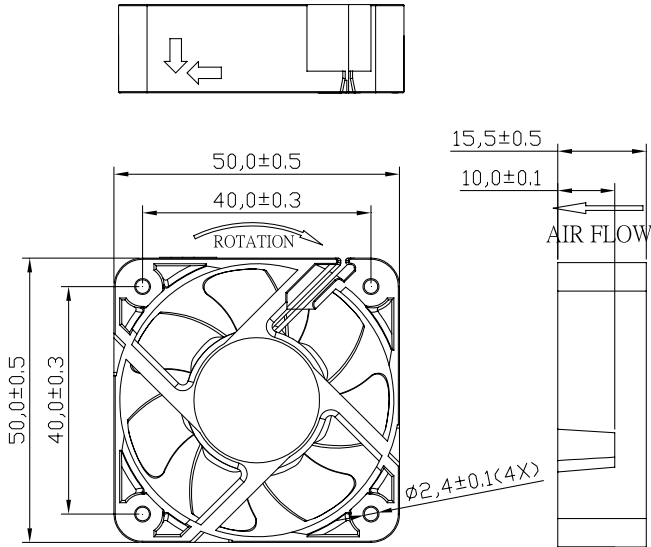


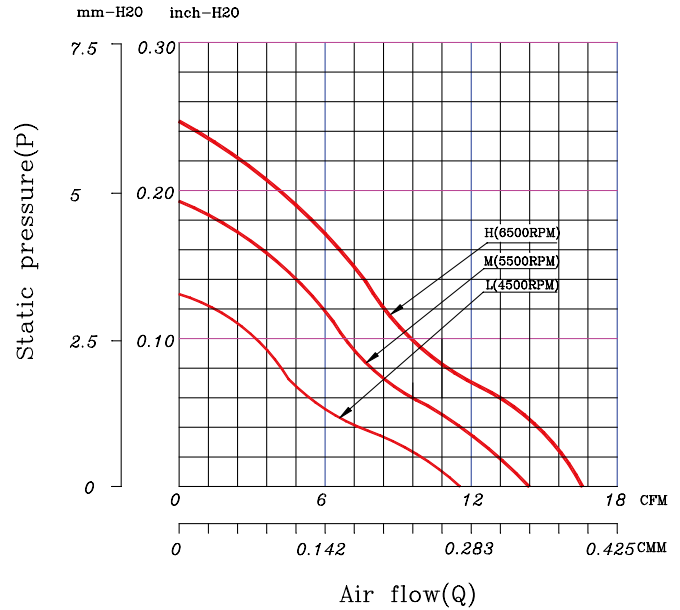
## 50 x 50 x 15 mm Series

Rev II- 12 VDC

### Dimensions



### Performance Curves



Air exhaust over struts. Rotational direction CCW looking at rotor

| Brushless DC Motor       | Bearing Type                                    |
|--------------------------|---|
| Housing: PBT 94V0        | ● CeraDyna A                                    |
| Impeller: PBT 94V0       | ● 2-Ball  |
| Weight: 22 g             | ● 1-Ball-1-Sleeve                               |
| Impedance protected      | ● Sleeve  |
| Lead wire UL 1007 AWG 26 | *Please contact us for CeraDyna-C availability. |

| Function options      |                      |
|-----------------------|----------------------|
| ● Frequency Generator | ● Auto Restart       |
| ● Temperature Control | ● Rotation Detection |

\* Please contact us for PWM function availability.

\* **Safety Approval: CE, UL, TUV**

\*All fans are with electronic protection against reverse polarity. The fan only operates when the polarity is correct.

### Specifications

| Model         | Rated Voltage (VDC) | Rated Current (Amp) | Input Power (Watts) | Nominal Speed (RPM) | Airflow (CFM) | Static Pressure (inch-H <sub>2</sub> O) | Noise Level (dBA) |
|---------------|---------------------|---------------------|---------------------|---------------------|---------------|---|-------------------|
| FD1250-A11XXC | 12                  | 0.19                | 2.28                | 6500                | 16.57         | 0.24                                    | 39.00             |
| FD1250-A21XXC | 12                  | 0.14                | 1.62                | 5500                | 14.38         | 0.19                                    | 34.80             |
| FD1250-A31XXC | 12                  | 0.08                | 0.9                 | 4000                | 11.54         | 0.13                                    | 28.50             |
|               |                     |                     |                     |                     |               |   |                   |
|               |                     |                     |                     |                     |               |   |                   |
|               |                     |                     |                     |                     |               |   |                   |

\*All readings are typical value at rated voltage.

\* Please refer to **PART NUMBER SYSTEM** for bearing type and part number "XX" designation.

\* Specifications are subject to change without prior notice.

\* Please specify revision number when ordering.