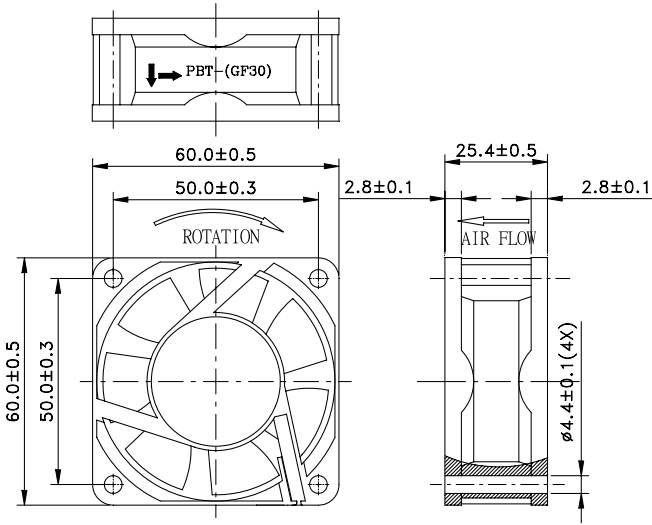


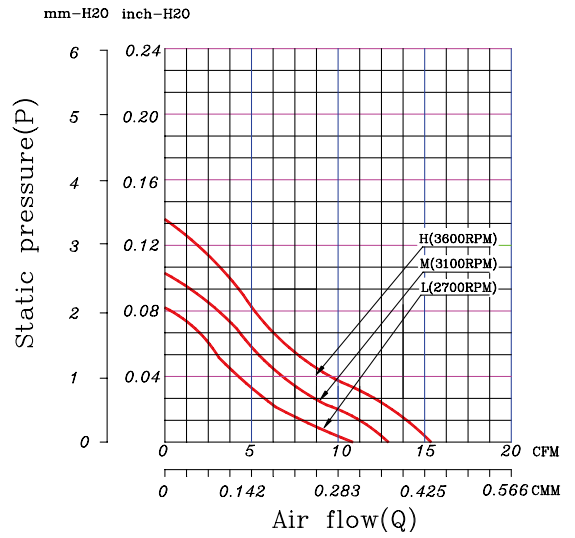
**60 x 60 x 25 mm Series**

**Rev I**

**Dimensions**

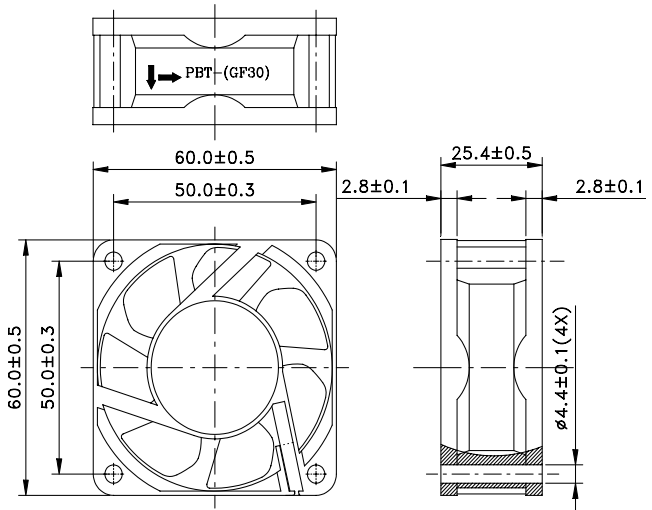


**Performance Curves**

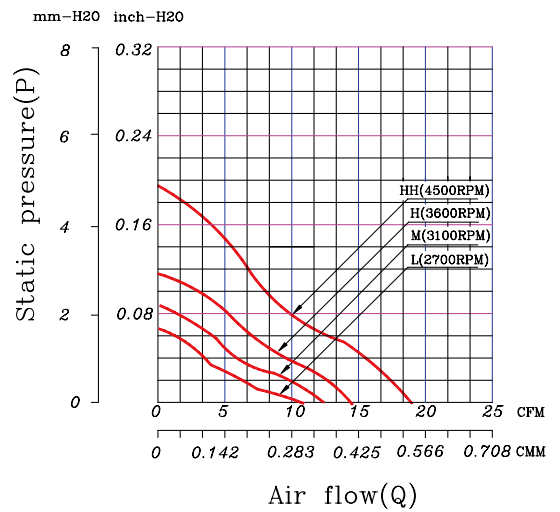


**Rev II**

**Dimensions**



**Performance Curves**



**Specifications**

Model	TYPE	Rated Voltage (VDC)	Rated Current (Amp)	Input Power (Watts)	Nominal Speed (RPM)	Airflow (CFM)	Static Pressure (inch-H <sub>2</sub> O)	Noise Level (dBA)
FD1260-A10XXE	I	12	0.15	1.80	3600	15.22	0.14	27.50
FD1260-A20XXE	I	12	0.12	1.44	3100	13.10	0.10	24.50
FD1260-A30XXE	I	12	0.08	0.96	2700	11.41	0.08	23.00
FD1260-A01XXE	II	12	0.23	2.76	4500	19.62	0.19	31.00
FD1260-A11XXE	II	12	0.15	1.80	3600	17.18	0.13	24.00
FD1260-A21XXE	II	12	0.12	1.44	3100	14.42	0.08	23.50
FD1260-A31XXE	II	12	0.08	0.96	2700	12.36	0.06	23.00