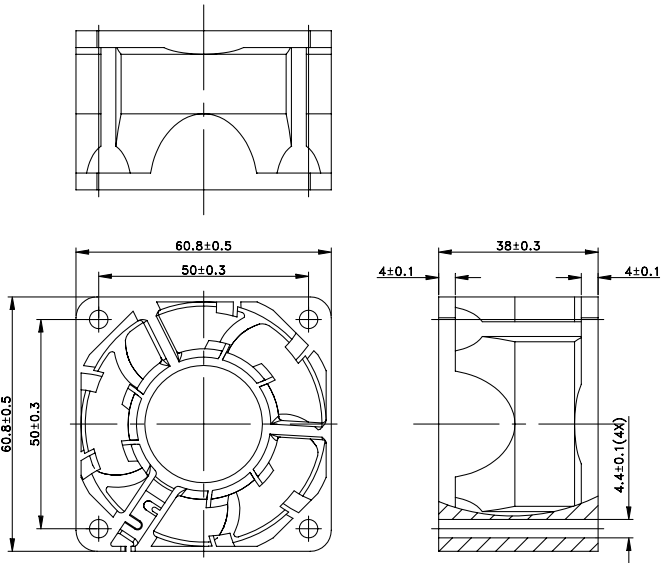
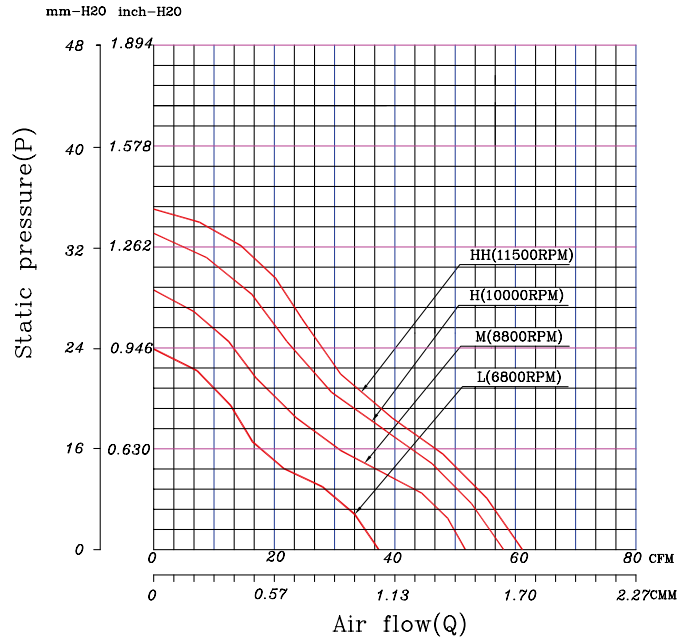


60 x 60 x 38 mm Series

Dimensions



Performance Curves



Air exhaust over struts. Rotational direction CCW looking at rotor

Brushless DC Motor	Bearing Type
Housing: PBT 94V0	● CeraDyna A
Impeller: PBT 94V0	○ 2-Ball
Weight: 114.5 g	○ 1-Ball-1-Sleeve
Impedance protected	● Sleeve
Lead wire UL 1007 AWG 24	*Please contact us for CeraDyna-C availability.

Function options	
● Frequency Generator	● Auto Restart
● Temperature Control	● Rotation Detection

* Please contact us for PWM function availability.

* **Safety Approval: CE, UL, TUV**

*All fans are with electronic protection against reverse polarity. The fan only operates when the polarity is correct.

Specifications

Model	Rated Voltage (VDC)	Rated Current (Amp)	Input Power (Watts)	Nominal Speed (RPM)	Airflow (CFM)	Static Pressure (inch-H ₂ O)	Noise Level (dBA)
FD1260-A01XXG	12	1.50	18.00	11500	61.18	2.41	62.40
FD1260-A11XXG	12	1.25	15.00	10000	58.05	2.29	59.50
FD1260-A21XXG	12	0.90	10.8	8800	51.70	2.04	55.20
FD1260-A31XXG	12	0.50	6.00	6800	37.34	1.47	44.50
FD1260-A01XXG	24	0.77	18.5	11500	61.18	2.41	62.40
FD1260-A11XXG	24	0.60	14.4	10000	58.05	2.29	59.50
FD1260-A21XXG	24	0.45	10.8	8800	51.70	2.04	55.20
FD1260-A31XXG	24	0.27	6.48	6800	37.34	1.47	44.50

*All readings are typical value at rated voltage.

*Please refer to **PART NUMBER SYSTEM** for bearing type and part number "XX" designation.

*Specifications are subject to change without prior notice.

*Please specify revision number when ordering.