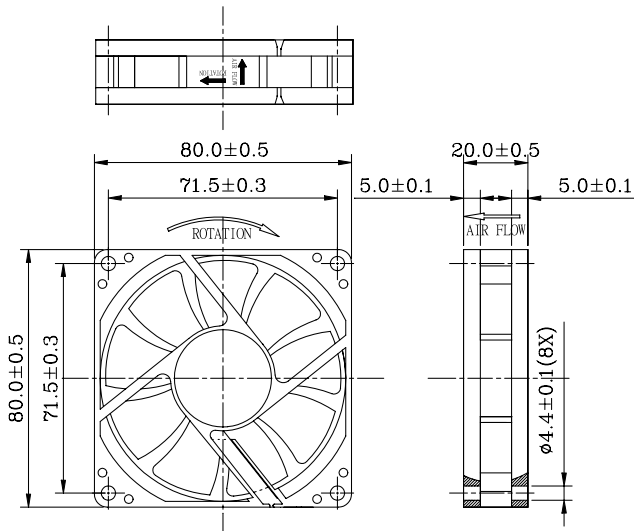
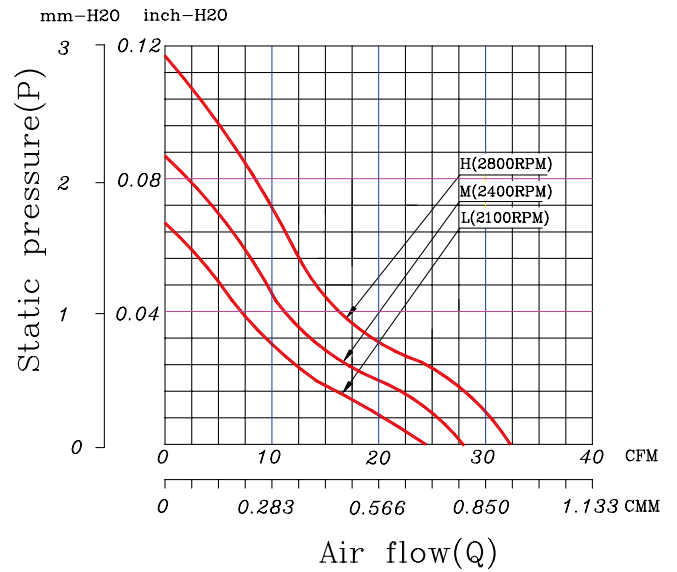


80 x 80 x 20 mm Series

Dimensions



Performance Curves



Air exhaust over struts. Rotational direction CCW looking at rotor

Brushless DC Motor	Bearing Type
Housing: PBT 94V0	● CeraDyna A
Impeller: PBT 94V0	● 2-Ball
Weight: 70 g	● 1-Ball-1-Sleeve
Impedance protected	● Sleeve
Lead wire UL 1007 AWG 24	*Please contact us for CeraDyna-C availability.

Function options	
● Frequency Generator	● Auto Restart
● Temperature Control	● Rotation Detection

* Please contact us for PWM function availability.

* **Safety Approval: CE, UL, TUV**

*All fans are with electronic protection against reverse polarity. The fan only operates when the polarity is correct.

Specifications

Model	Rated Voltage (VDC)	Rated Current (Amp)	Input Power (Watts)	Nominal Speed (RPM)	Airflow (CFM)	Static Pressure (inch-H ₂ O)	Noise Level (dBA)
FD1280-A10XXD	12	0.19	2.28	2800	32.21	0.12	29.00
FD1280-A20XXD	12	0.13	1.56	2400	27.62	0.09	26.50
FD1280-A30XXD	12	0.12	1.44	2100	24.16	0.07	23.00

*All readings are typical value at rated voltage.

*Please refer to **PART NUMBER SYSTEM** for bearing type and part number "XX" designation.

*Specifications are subject to change without prior notice.

*Please specify revision number when ordering.