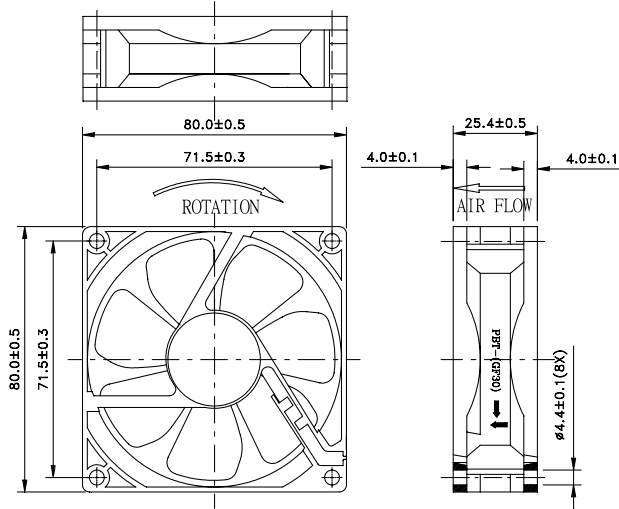


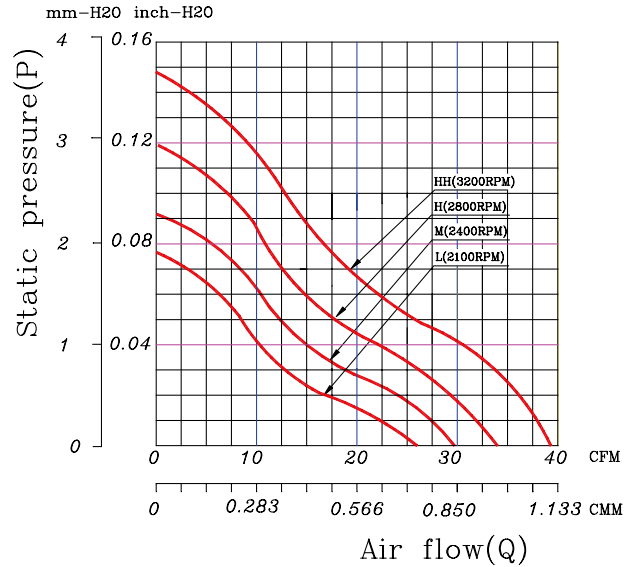
80 x 80 x 25 mm Series

Rev II

Dimensions



Performance Curves



Air exhaust over struts. Rotational direction CCW looking at rotor

Brushless DC Motor	Bearing Type
Housing: PBT 94V0	● CeraDyna A
Impeller: PBT 94V0	● 2-Ball
Weight: 70 g	● 1-Ball-1-Sleeve
Impedance protected	● Sleeve
Lead wire UL 1007 AWG 24	*Please contact us for CeraDyna-C availability.

Function options	
● Frequency Generator	● Auto Restart
● Temperature Control	● Rotation Detection

* Please contact us for PWM function availability.

* **Safety Approval: CE, UL, TUV**

*All fans are with electronic protection against reverse polarity. The fan only operates when the polarity is correct.

Specifications

Model	Rated Voltage (VDC)	Rated Current (Amp)	Input Power (Watts)	Nominal Speed (RPM)	Airflow (CFM)	Static Pressure (inch-H ₂ O)	Noise Level (dBA)
FD1280-A01XXE	12	0.24	2.88	3200	40.61	0.14	35.50
FD1280-A11XXE	12	0.17	2.04	2800	35.45	0.11	31.50
FD1280-A21XXE	12	0.13	1.56	2400	30.19	0.09	27.50
FD1280-A31XXE	12	0.09	1.08	2100	26.20	0.06	22.50
FD2480-A01XXE	24	0.16	3.84	3200	40.61	0.14	35.50
FD2480-A11XXE	24	0.13	3.12	2800	35.45	0.11	31.50
FD2480-A21XXE	24	0.11	2.64	2400	30.19	0.09	27.50
FD2480-A31XXE	24	0.09	2.16	2100	26.20	0.06	22.50

*All readings are typical value at rated voltage.

* Please refer to **PART NUMBER SYSTEM** for bearing type and part number "XX" designation.

* Specifications are subject to change without prior notice.

* Please specify revision number when ordering.