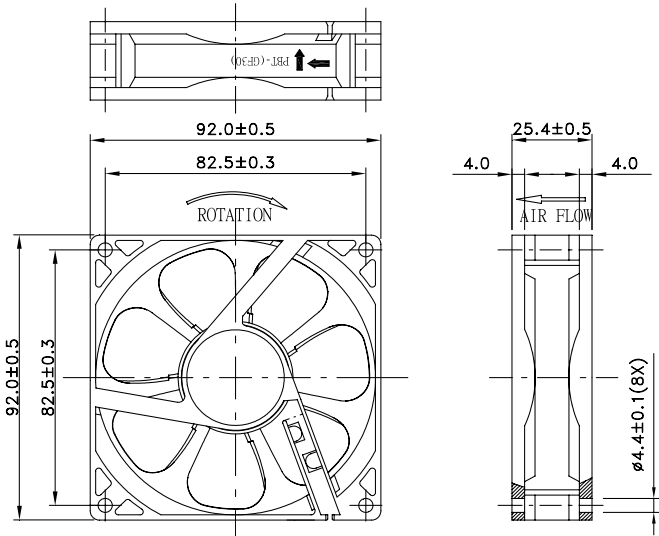


92 x 92 x 25 mm Series

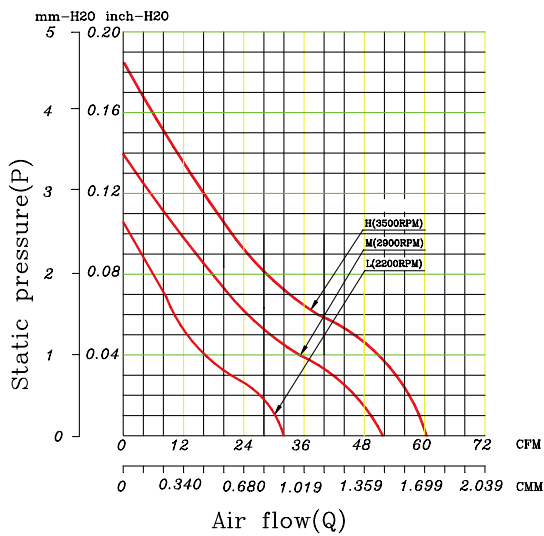
Dimensions



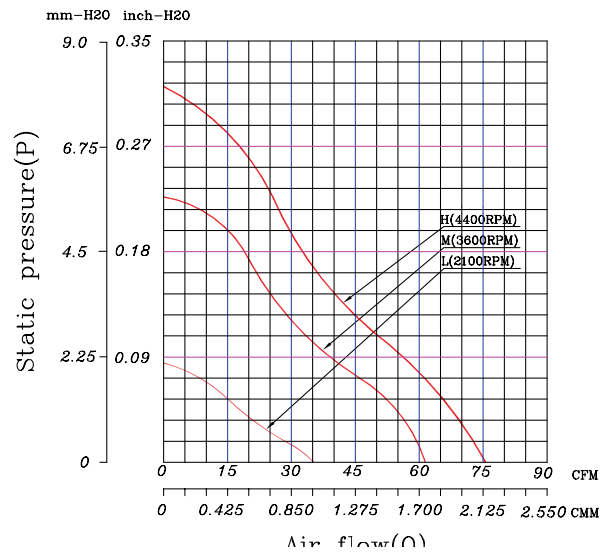
Rev VI

Rev VII

Performance Curves



Performance Curves



Specifications

Model	TYPE	Rated Voltage (VDC)	Rated Current (Amp)	Input Power (Watts)	Nominal Speed (RPM)	Airflow (CFM)	Static Pressure (inch-H ₂ O)	Noise Level (dBA)
FD1290-A15XXE	VI	12	0.31	3.72	3500	60.48	0.18	40.90
FD1290-A25XXE	VI	12	0.20	2.40	2900	51.69	0.14	38.50
FD1290-A35XXE	VI	12	0.09	1.08	2200	39.04	0.08	30.70
FD1290-AP6XXE	VII	12	0.47	5.64	4400	75.59	0.32	49.70
FD1290-A16XXE	VII	12	0.47	5.64	4400	75.59	0.32	49.70
FD1260-A26XXE	VII	12	0.27	3.24	3600	61.45	0.22	44.00
FD1260-A36XXE	VII	12	0.09	1.08	2100	35.32	0.08	27.60