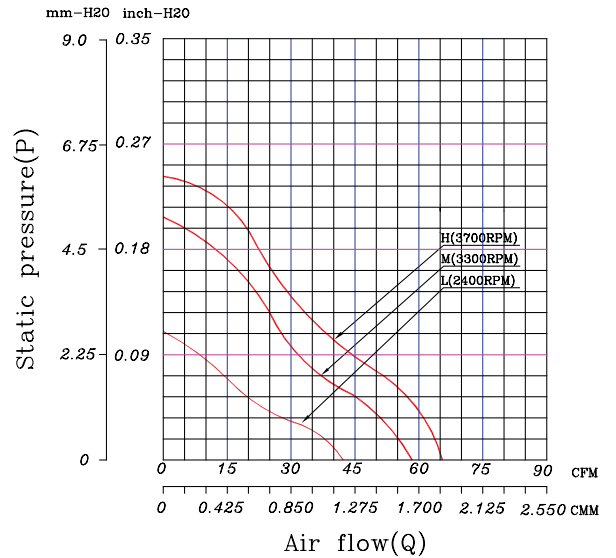
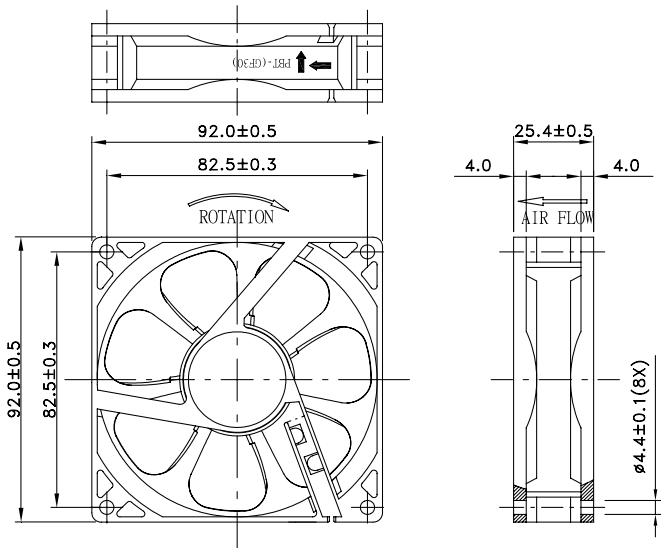


**92 x 92 x 25 mm Series**

**Rev VIII- 12 VDC**

**Dimensions**

**Performance Curves**



Air exhaust over struts. Rotational direction CCW looking at rotor

Brushless DC Motor	Bearing Type
Housing: PBT 94V0	● CeraDyna A
Impeller: PBT 94V0	● 2-Ball
Weight: 90 g	● 1-Ball-1-Sleeve
Impedance protected	● Sleeve
Lead wire UL 1007 AWG 24	*Please contact us for CeraDyna-C availability.

Function options	
● Frequency Generator	● Auto Restart
● Temperature Control	● Rotation Detection

\* Please contact us for PWM function availability.

\* **Safety Approval: CE, UL, TUV**

\*All fans are with electronic protection against reverse polarity. The fan only operates when the polarity is correct.

**Specifications**

Model	Rated Voltage (VDC)	Rated Current (Amp)	Input Power (Watts)	Nominal Speed (RPM)	Airflow (CFM)	Static Pressure (inch-H <sub>2</sub> O)	Noise Level (dBA)
FD1290-A17XXE	12	0.37	4.44	3700	65.52	0.24	45.70
FD1290-A27XXE	12	0.23	2.76	3300	59.71	0.20	43.80
FD1290-A37XXE	12	0.09	1.08	2400	42.27	0.11	32.40

\*All readings are typical value at rated voltage.

\*Please refer to **PART NUMBER SYSTEM** for bearing type and part number "XX" designation.

\*Specifications are subject to change without prior notice.

\*Please specify revision number when ordering.