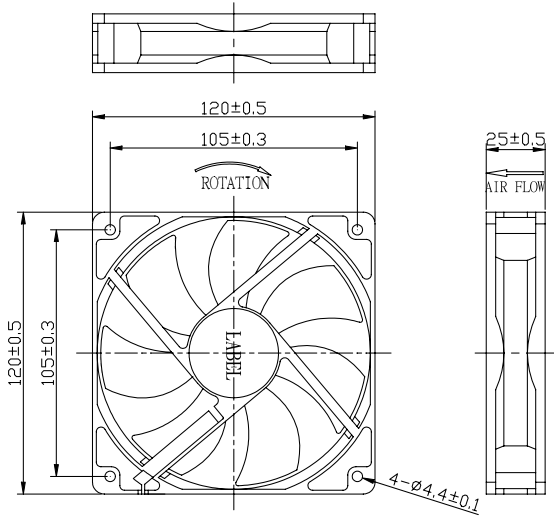


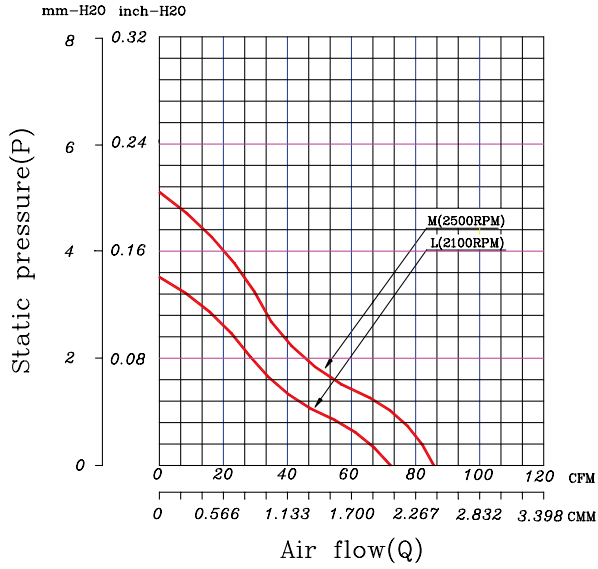
120 x 120 x 25 mm Series

Dimensions



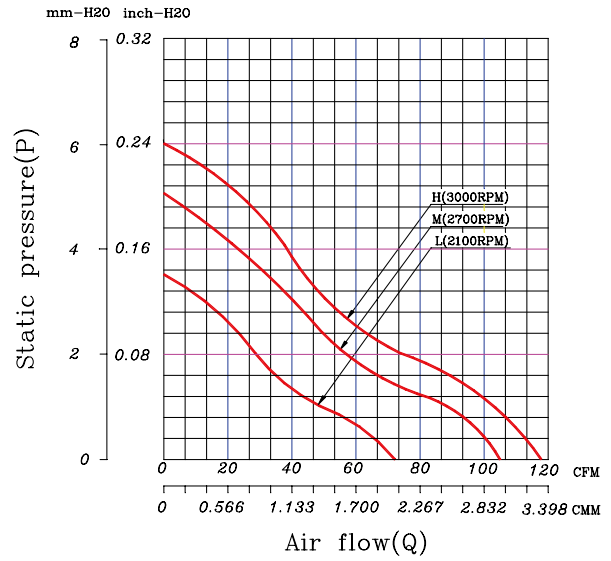
Rev II

Performance Curves



Rev IV

Performance Curves



Specifications

Model	TYPE	Rated Voltage (VDC)	Rated Current (Amp)	Input Power (Watts)	Nominal Speed (RPM)	Airflow (CFM)	Static Pressure (inch-H2O)	Noise Level (dBA)
FD1212-A21XXE	II	12	0.34	4.08	2500	87.80	0.14	42.00
FD1212-A31XXE	II	12	0.32	3.84	2100	73.70	0.12	38.00
FD1212-AP3XXE	IV	12	0.50	6.00	3000	117.08	0.24	49.30
FD1212-A13XXE	IV	12	0.50	6.00	3000	117.08	0.24	49.30
FD1212-A23XXE	IV	12	0.35	4.20	2700	104.60	0.20	44.50
FD1212-A33XXE	IV	12	0.18	2.16	2100	73.70	0.12	38.00