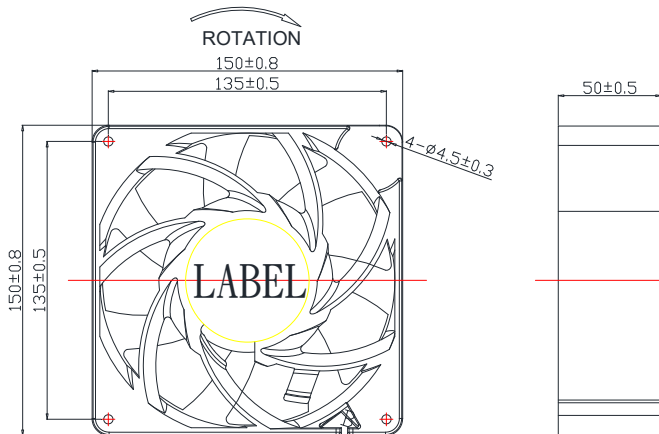


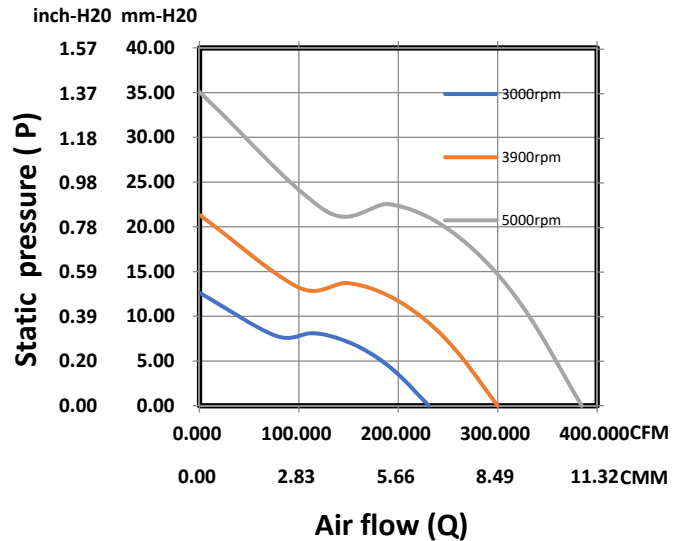
150 x 150 x 50 mm Series

Rev. I

Dimensions



Performance Curve



General Specification	
Frame	PBT 94V-0
Impeller	PBT 94V-0
Lead Wire	UL1430 22AWG
Storage Temperature	-40°C ~ 90°C
Operating Temperature	-30°C ~ 80°C
Mass	TBD

Bearing Type	Function Options
<input type="radio"/> CeraDyna A	<input checked="" type="radio"/> Auto Restart
<input type="radio"/> CeraDyna C	<input checked="" type="radio"/> Frequency Generator
<input checked="" type="radio"/> Ball Bearing	<input checked="" type="radio"/> Rotation Detect
<input type="radio"/> Sleeve Bearing	<input checked="" type="radio"/> Temperature Control
<input type="radio"/> Fluid Dynamic Bearing	<input checked="" type="radio"/> PWM Control

*Air exhaust over struts. Rotational direction CCW looking at rotor

*The motor is with electronic protection against reverse polarity. The motor only operates when the polarity is correct.

Specifications

Model No.	Rated Voltage (V)	Rated Current (A)	Input Power (W)	Nominal Speed (RPM)	Airflow (CFM)	Static Pressure (Inch-H2O)	SPL (dB A)
FD1215-D10XXK	12	6.5	78	5000	384.6	1.38	71
FD1215-D20XXK	12	2.9	34.8	3900	300	0.84	61
FD1215-D30XXK	12	1.2	14.4	3000	230.7	0.50	53

*All readings are typical value at rated voltage.

*Please refer to **PART NUMBER SYSTEM** for bearing type and part number "XX" designation.

*Please specify revision number when ordering.