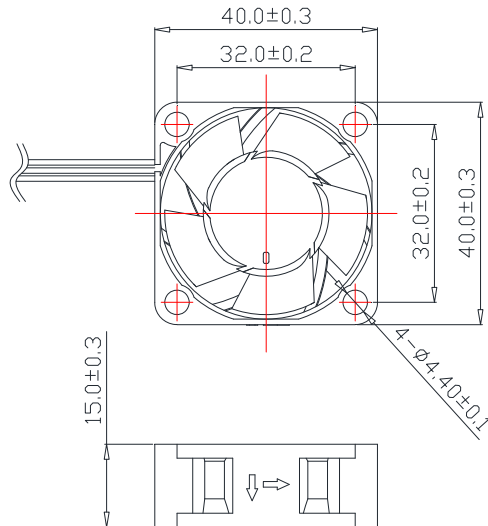


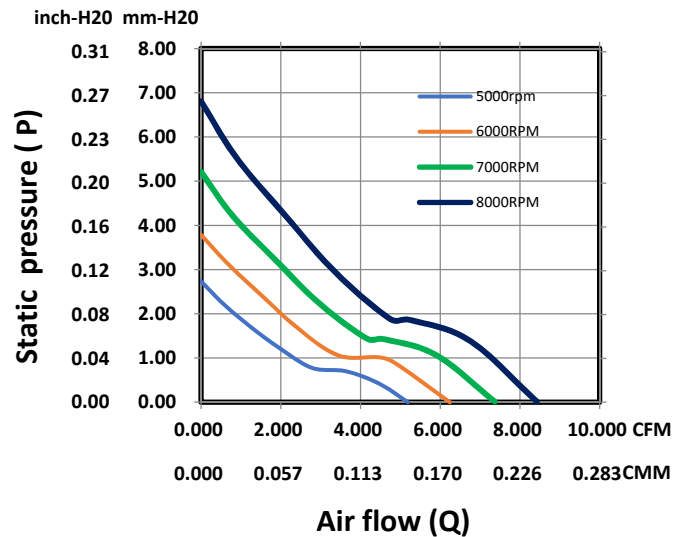
## Automotive 40 x 40 x 15 mm Series

Rev. I

## Dimensions



## Performance Curve



General Specification		Bearing Type	Function Options
Frame	PBT 94V-0	<input type="radio"/> CeraDyna A	<input checked="" type="radio"/> Auto Restart
Impeller	PBT 94V-0	<input type="radio"/> CeraDyna C	<input checked="" type="radio"/> Frequency Generator
Lead Wire	Silicone wire	<input checked="" type="radio"/> Ball Bearing	<input checked="" type="radio"/> Rotation Detect
Storage Temperature	-40°C ~ 130°C	<input type="radio"/> Sleeve Bearing	<input checked="" type="radio"/> Temperature Control
Operating Temperature	-40°C ~ 120°C	<input type="radio"/> Fluid Dynamic Bearing	<input checked="" type="radio"/> PWM Control
Mass	21 gram		

\*Air exhaust over struts. Rotational direction CCW looking at rotor

\*The motor is with electronic protection against reverse polarity. The motor only operates when the polarity is correct.

## Specifications

Model No.	Rated Voltage (V)	Rated Current (A)	Input Power (W)	Nominal Speed (RPM)	Airflow (CFM)	Static Pressure (Inch-H2O)	SPL (dB A)
FD1340-D00XXC	13.5	0.09	1.20	8000	8.42	0.27	32.5
FD1340-D10XXC	13.5	0.06	0.84	7000	7.36	0.21	29.0
FD1340-D20XXC	13.5	0.04	0.48	6000	6.24	0.15	26.0
FD1340-D30XXC	13.5	0.03	0.36	5000	5.19	0.12	21.5

\*All readings are typical value at rated voltage.

\*Please refer to **PART NUMBER SYSTEM** for bearing type and part number "XX" designation.

\*Please specify revision number when ordering.