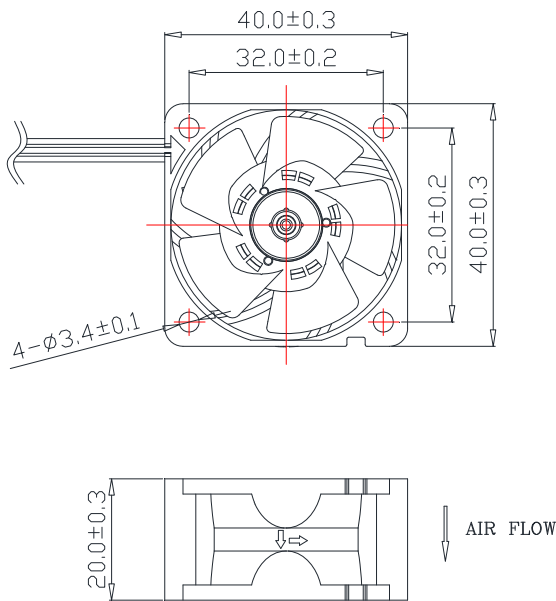


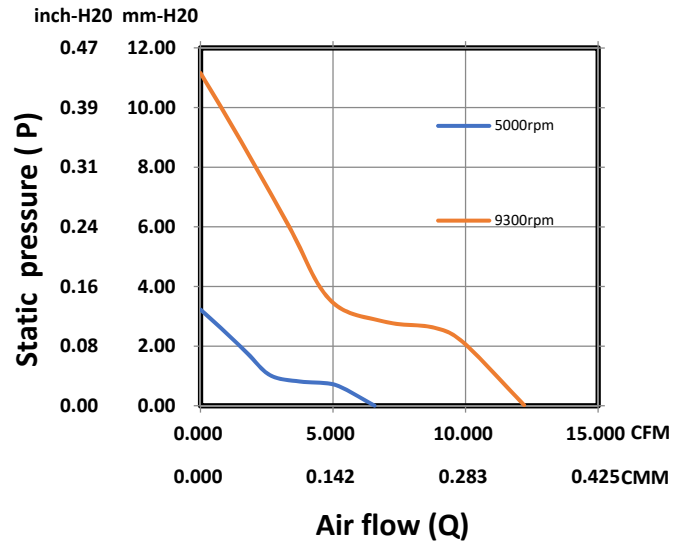
## Automotive 40 x 40 x 20 mm Series

Rev. I

## Dimensions



## Performance Curve



General Specification		Bearing Type	Function Options
Frame	PBT 94V-0	<input type="radio"/> CeraDyna A	<input checked="" type="radio"/> Auto Restart
Impeller	PBT 94V-0	<input type="radio"/> CeraDyna C	<input checked="" type="radio"/> Frequency Generator
Lead Wire	Silicone wire 24AWG	<input checked="" type="radio"/> Ball Bearing	<input checked="" type="radio"/> Rotation Detect
Storage Temperature	-40°C ~ 150°C	<input type="radio"/> Sleeve Bearing	<input checked="" type="radio"/> Temperature Control
Operating Temperature	-40°C ~ 125°C	<input type="radio"/> Fluid Dynamic Bearing	<input checked="" type="radio"/> PWM Control
Mass	30.8 gram		

\*Air exhaust over struts. Rotational direction CCW looking at rotor

\*The motor is with electronic protection against reverse polarity. The motor only operates when the polarity is correct.

## Specifications

Model No.	Rated Voltage (V)	Rated Current (A)	Input Power (W)	Nominal Speed (RPM)	Airflow (CFM)	Static Pressure (Inch-H2O)	SPL (dB A)
FD1340-D01XXD	13.5	0.12	1.62	9300	12.21	0.44	41.0
FD2440-D31XXD	24.0	0.07	1.68	5000	6.58	0.12	22.0

\*All readings are typical value at rated voltage.

\*Please refer to **PART NUMBER SYSTEM** for bearing type and part number "XX" designation.

\*Please specify revision number when ordering.