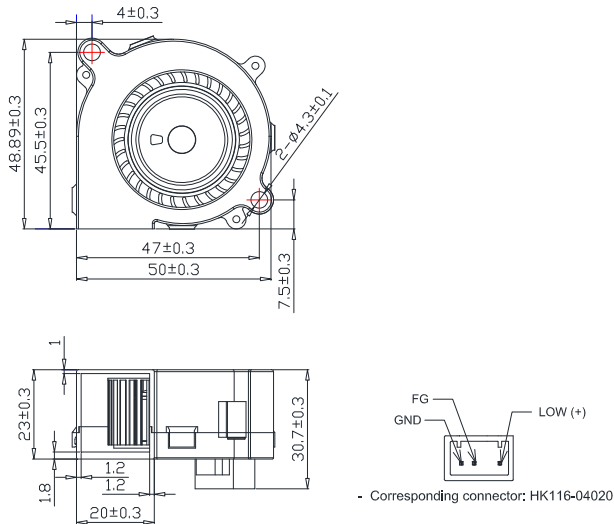


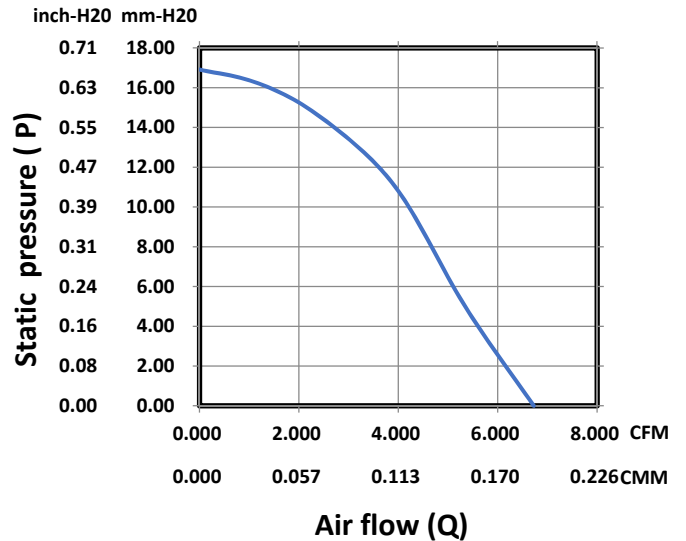
Automotive 50 x 50 x 23 mm Series

Rev. I

Dimensions



Performance Curve



General Specification		Bearing Type	Function Options
Frame	PBT 94V-0	<input type="radio"/> CeraDyna A	<input checked="" type="radio"/> Auto Restart
Impeller	PBT 94V-0	<input type="radio"/> CeraDyna C	<input checked="" type="radio"/> Frequency Generator
Lead Wire	N/A	<input checked="" type="radio"/> Ball Bearing	<input checked="" type="radio"/> Rotation Detect
Storage Temperature	-40°C ~ 150°C	<input type="radio"/> Sleeve Bearing	<input checked="" type="radio"/> Temperature Control
Operating Temperature	-40°C ~ 120°C	<input type="radio"/> Fluid Dynamic Bearing	<input checked="" type="radio"/> PWM Control
Mass	45.5 gram		

*Air exhaust over struts. Rotational direction CCW looking at rotor

*The motor is with electronic protection against reverse polarity. The motor only operates when the polarity is correct.

Specifications

Model No.	Rated Voltage (V)	Rated Current (A)	Input Power (W)	Nominal Speed (RPM)	Airflow (CFM)	Static Pressure (Inch-H2O)	SPL (dB A)
FW1350-D10XXH	13.5	0.21	2.83	6500	6.76	0.67	46.3

*All readings are typical value at rated voltage.

*Please refer to **PART NUMBER SYSTEM** for bearing type and part number "XX" designation.

*Please specify revision number when ordering.