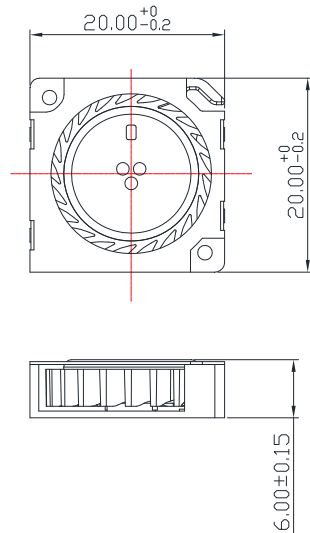
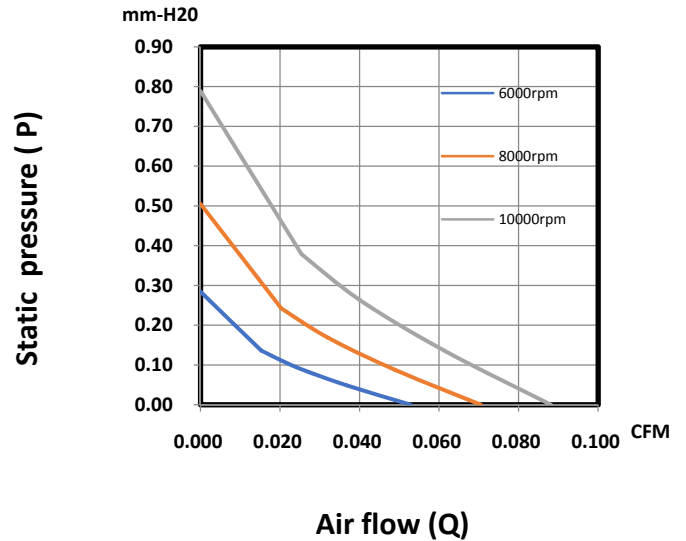


**20 x 20 x 6 mm Series**
**Dimensions**

**Rev. I**
**Performance Curve**


General Specification	
Frame	PBT 94V-0
Impeller	PBT 94V-0
Lead Wire	UL1571 30AWG
Storage Temperature	-20°C ~ 80°C
Operating Temperature	-10°C ~ 75°C
Mass	3.74 gram

Bearing Type	Function Options
<input type="radio"/> CeraDyna A	<input checked="" type="radio"/> Auto Restart
<input type="radio"/> CeraDyna C	<input checked="" type="radio"/> Frequency Generator
<input type="radio"/> Ball Bearing	<input type="radio"/> Rotation Detect
<input checked="" type="radio"/> Sleeve Bearing	<input type="radio"/> Temperature Control
<input type="radio"/> Fluid Dynamic Bearing	<input checked="" type="radio"/> PWM Control

\*Air exhaust over struts. Rotational direction CCW looking at rotor

\*The motor is with electronic protection against reverse polarity. The motor only operates when the polarity is correct.

**Specifications**

Model No.	Rated Voltage (V)	Rated Current (A)	Input Power (W)	Nominal Speed (RPM)	Airflow (CFM)	Static Pressure (Inch-H2O)	SPL (dB A)
FW0520-S10XXP	5.0	0.21	1.05	10000	0.088	0.031	26.6
FW0520-S20XXP	5.0	0.08	0.4	8000	0.07	0.019	20.5
FW0520-S30XXP	5.0	0.05	0.25	6000	0.053	0.011	14.5

\* SPL is measured at 6.25CM.

\* All readings are typical value at rated voltage.

\* Please refer to **PART NUMBER SYSTEM** for bearing type and part number "XX" designation.

\* Please specify revision number when ordering.