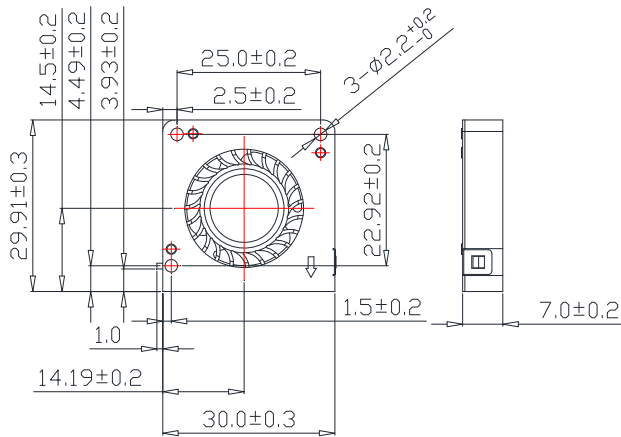


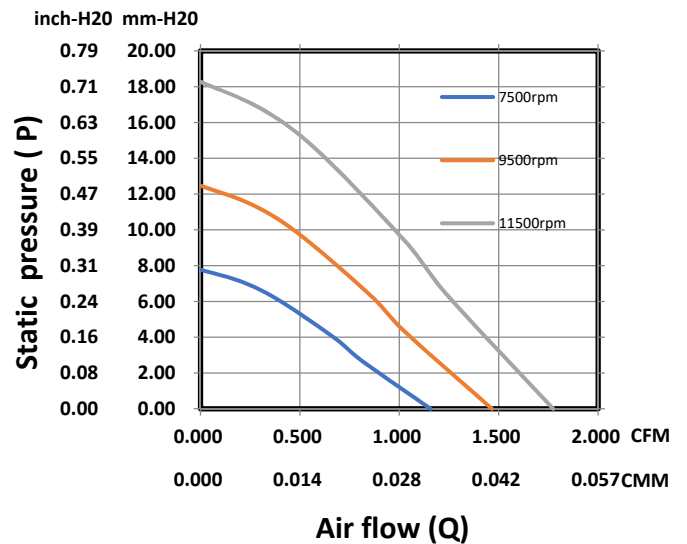
30 x 30 x 7 mm Series

Rev. I

Dimensions



Performance Curve



General Specification	
Frame	PBT 94V-0
Impeller	PPS 94V-0
Lead Wire	UL1571 AWG30
Storage Temperature	-20°C ~ 80°C
Operating Temperature	-10°C ~ 75°C
Mass	8.2 gram

Bearing Type	Function Options
<input type="radio"/> CeraDyna A	<input checked="" type="radio"/> Auto Restart
<input type="radio"/> CeraDyna C	<input checked="" type="radio"/> Frequency Generator
<input type="radio"/> Ball Bearing	<input checked="" type="radio"/> Rotation Detect
<input checked="" type="radio"/> Sleeve Bearing	<input checked="" type="radio"/> Temperature Control
<input type="radio"/> Fluid Dynamic Bearing	<input checked="" type="radio"/> PWM Control

*Air exhaust over struts. Rotational direction CW looking at rotor

*The motor is with electronic protection against reverse polarity. The motor only operates when the polarity is correct.

Specifications

Model No.	Rated Voltage (V)	Rated Current (A)	Input Power (W)	Nominal Speed (RPM)	Airflow (CFM)	Static Pressure (Inch-H2O)	SPL (dB A)
FW0530-S10XXI	5	0.33	1.65	11500	1.77	0.72	38.1
FW0530-S20XXI	5	0.20	1.00	9500	1.47	0.49	33.9
FW0530-S30XXI	5	0.11	0.55	7500	1.16	0.31	29.7

*All readings are typical value at rated voltage.

*Please refer to **PART NUMBER SYSTEM** for bearing type and part number "XX" designation.

*Please specify revision number when ordering.