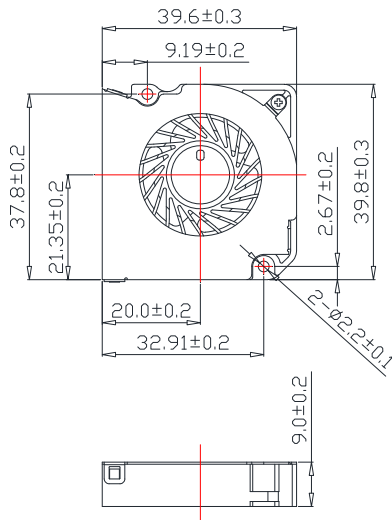


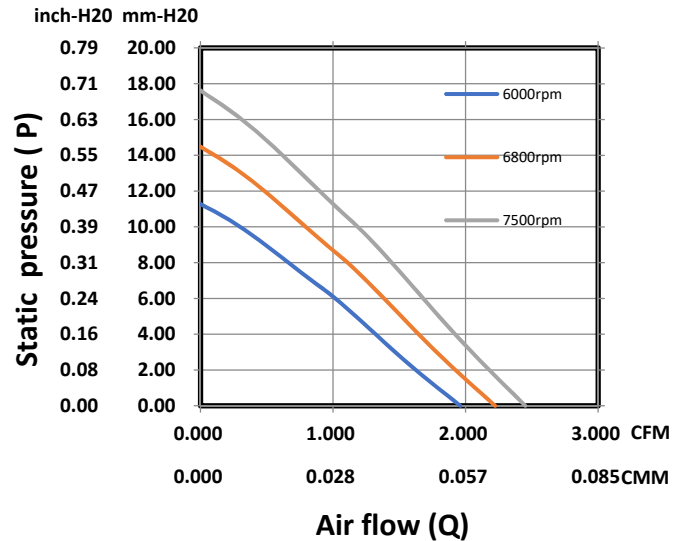
## 40 x 40 x 9 mm Series

Rev. I

## Dimensions



## Performance Curve



General Specification	
Frame	PBT 94V-0
Impeller	PBT 94V-0
Lead Wire	UL1571 AWG30
Storage Temperature	-20°C ~ 80°C
Operating Temperature	-10°C ~ 75°C
Mass	11.5 gram

Bearing Type	Function Options
<input type="radio"/> CeraDyna A	<input checked="" type="radio"/> Auto Restart
<input type="radio"/> CeraDyna C	<input checked="" type="radio"/> Frequency Generator
<input type="radio"/> Ball Bearing	<input checked="" type="radio"/> Rotation Detect
<input checked="" type="radio"/> Sleeve Bearing	<input checked="" type="radio"/> Temperature Control
<input type="radio"/> Fluid Dynamic Bearing	<input checked="" type="radio"/> PWM Control

\*Air exhaust over struts. Rotational direction CW looking at rotor

\*The motor is with electronic protection against reverse polarity. The motor only operates when the polarity is correct.

## Specifications

Model No.	Rated Voltage (V)	Rated Current (A)	Input Power (W)	Nominal Speed (RPM)	Airflow (CFM)	Static Pressure (Inch-H2O)	SPL (dB A)
FW0540-S10XXJ	5	0.28	1.40	7500	2.45	0.69	33.9
FW0540-S20XXJ	5	0.20	1.00	6800	2.22	0.57	33.2
FW0540-S30XXJ	5	0.15	0.75	6000	1.96	0.44	32.4

\*All readings are typical value at rated voltage.

\*Please refer to **PART NUMBER SYSTEM** for bearing type and part number "XX" designation.

\*Please specify revision number when ordering.