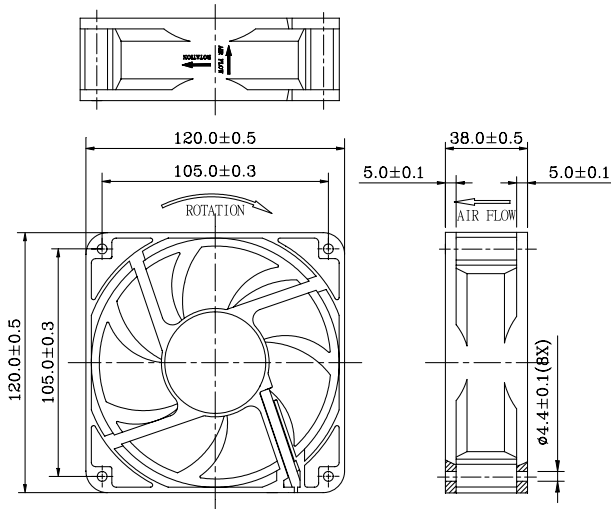
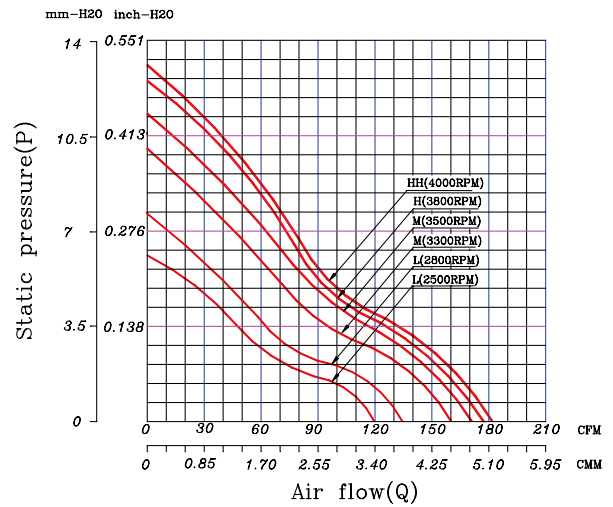


**120 x 120 x 38 mm Series**

**Dimensions**



**Performance Curves**



Air exhaust over struts. Rotational direction CCW looking at rotor

Brushless DC Motor	Bearing Type
Housing: PBT 94V0	<input type="radio"/> CeraDyna A
Impeller: PBT 94V0	<input checked="" type="radio"/> 2-Ball
Weight: 270 g	<input type="radio"/> 1-Ball-1-Sleeve
Impedance protected	<input checked="" type="radio"/> Sleeve
Lead wire UL 1007 AWG 24	*Please contact us for CeraDyna-C availability.

Function options	
<input checked="" type="radio"/> Frequency Generator	<input checked="" type="radio"/> Auto Restart
<input checked="" type="radio"/> Temperature Control	<input checked="" type="radio"/> Rotation Detection

\* Please contact us for PWM function availability.

\* **Safety Approval: CE, UL, TUV**

\* All fans are with electronic protection against reverse polarity. The fan only operates when the polarity is correct.

**Specifications**

Model	TYPE	Rated Voltage (VDC)	Rated Current (Amp)	Input Power (Watts)	Nominal Speed (RPM)	Airflow (CFM)	Static Pressure (inch-H2O)	Noise Level (dBA)
FD1212-DP2XXG	III	12	1.5	18.0	4000	181.89	0.52	62.40
FD1212-D02XXG	III	12	1.5	18.0	4000	181.89	0.52	62.40
FD1212-D12XXG	III	12	1.2	14.4	3800	177.51	0.49	61.70
FD1212-D22XXG	III	12	0.90	10.8	3500	170.78	0.45	60.90
FD1212-D32XXG	III	12	0.41	4.90	2500	119.61	0.24	51.50
FD2412-DP2XXG	III	24	0.87	20.8	4000	181.89	0.52	59.40
FD2412-D02XXG	III	24	0.87	20.8	4000	181.89	0.52	59.40
FD2412-D12XXG	III	24	0.64	15.4	3800	177.51	0.49	57.60
FD2412-D22XXG	III	24	0.50	12.0	3300	161.02	0.40	54.90
FD2412-D32XXG	III	24	0.30	7.20	2800	133.96	0.30	47.70
FD4812-DP1XXG	II	48	0.40	19.2	4000	181.89	0.52	59.40
FD4812-D01XXG	II	48	0.40	19.2	4000	181.89	0.52	59.40
FD4812-D11XXG	II	48	0.31	14.8	3800	177.51	0.49	57.60
FD4812-D21XXG	II	48	0.22	10.5	3300	161.02	0.40	54.90
FD4812-D31XXG	II	48	0.13	6.24	2500	119.61	0.24	51.50